

Form 19245
(239)
Printed in U. S. A.

HISTORICAL COPY
DO NOT REMOVE

LIST OF PARTS



FOR FAMILY SHOPS

MACHINE No. 66-8

From the library of: Diamond Needle Corp

** A TRADE MARK OF

THE SINGER MANUFACTURING COMPANY

INDEX

	Page
Accessories.....	10
Attachment Set.....	10
Bias Gauge.....	11
Bobbin Winder Parts.....	10
Braider.....	11
Chart for Series 4 Motors.....	18
Controllers.....	19
Corder Bow.....	11
Darning Foot (Spring).....	11
Edge Stitcher.....	11
Embroidery Attachment (For one thread).....	12
Embroidery Attachment (For two threads).....	12
Feed Cover Plates.....	13
Feller.....	13
Finger Guard.....	13
Hemmers (Foot).....	14
Hemstitcher.....	14
Hemstitching and Picoting Attachment.....	14
Machine No. 66-8.....	5
Motor Parts.....	18
Needle Threader (Universal).....	15
Numerical List of Parts.....	21
Presser Foot with Graduated Adjustable Guides.....	15
Presser Feet.....	16
Quilter.....	17
Replacement Parts for Hemstitching and Picoting Attachment No. 121387.....	14
Ruffler.....	17
Ruffler Shirring Plate (Universal).....	17
Spotlight.....	20
Spotlight Lamp.....	20
Tubular Trimming Attachment.....	17
Under Braider.....	17

From the Library of Diamond Needle Corp.

INSTRUCTIONS FOR ORDERING

In ordering from this list, use ONLY the part NUMBER in the FIRST column.

The number stamped on a Sewing Machine Part is in every case the number of the single part only.

Every combination of parts sent out as such has its specific number, which, although not stamped on the parts, must be used when ordering the combination.

Each number always indicates the SAME PART in whatever list it appears, or for whatever machine.

The letters after some of the numbers indicate the style of finish only, as follows:

- A-Hardened, Polished, Nickel Plated and Buffed
- A.A-Buffed and Chromium Plated
- A.B-Hardened, Polished, Buffed and Chromium Plated
- B-Polished, Nickel Plated and Buffed
- C-Hardened Only
- C.R-Hardened and Merlized
- D-Polished Only
- E-Soft, Not Polished
- F-Hardened and Polished
- F.J-Hardened, Polished and Nickel Plated
- G-Bright Rumbled and Nickel Plated
- H-Blued
- J-Nickel Plated Only
- K-Hardened and Nickel Plated
- L-Brass Plated
- M-Oxidized
- N-Japanned, Dull
- P-Japanned, Bright
- P.P-Wrinkle Finish
- R-Merlized
- S-Cadmium Plated
- T-Copper Plated
- T.A-Hardened, Polished, Copper and Nickel Plated and Buffed
- T.B-Copper and Nickel Plated and Polished
- T.J-Copper and Nickel Plated Only
- T.K-Hardened, Copper and Nickel Plated
- T.L-Copper and Brass Plated
- T.M-Copper Plated and Oxidized
- U-Zinc Plated
- V-Silver Plated
- W-Polished and Nickel Plated
- X-Black Oxide, for Iron and Steel
- X.C-Hardened and Black Oxide, for Iron or Steel
- Y-Black Nickel Plated Only
- Z-Chromium Plated
- Z.A-Hardened, Polished, Nickel Plated, Buffed and Chromium Plated
- Z.B-Polished, Nickel Plated, Buffed and Chromium Plated
- Z.C-Hardened and Chromium Plated
- Z.D-Polished and Chromium Plated
- Z.G-Bright Rumbled, Nickel Plated, Bright Rumbled and Chromium Plated
- Z.J-Nickel and Chromium Plated
- Z.T-Copper and Chromium Plated

These letters MUST BE USED when they appear in the list; and AFTER the number as in the list.

In this series:

1 to 1500, 50001 to 51500 and 140001 to 142000

are Screw Numbers

1501 to 1800 and 51501 to 51800 are Nut Numbers

1801 to 2000 and 51801 to 52000 are Roller Numbers

2001 to 50000 and 52001 to 140000 and 142001 to

190000 are Sewing Machine Parts, 190001 and upward

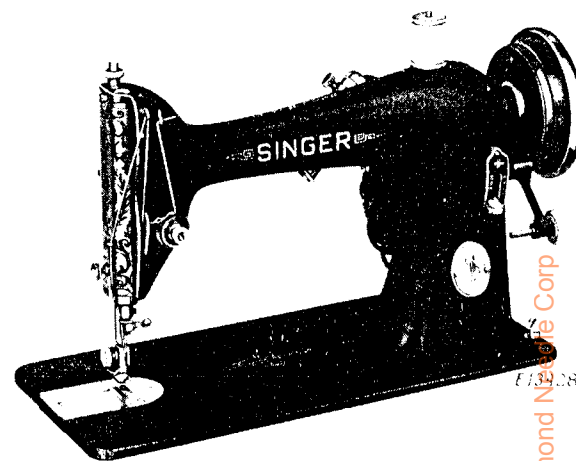
are numbers of Electrical Parts.

The figures in the second column refer only to the plates, illustrating the parts, and are NOT TO BE USED in ordering.

Parts marked with an asterisk (*) are furnished only when repairs are made at factory.

LIST OF PARTS COMPLETE

FOR



MACHINE No. 66-8

FOR FAMILY USE.

SERIES 4 MOTORS,

SPOTLIGHT AND KNEE CONTROL

No.	Plate	Name
*32684	----	Arm with 45773 and two 15405.....
4389	9671	" Dowel Pin.....
32683	9670	" Oil Tube, for oiling 32679.....
32676	9670	" Rock Shaft with 50571E.....
32682	----	" " " 32676 with 1216C and 1520J
50571E	9670	" " " Adjusting Screw.....
8204	9670	" " " Center (upper).....
301C	9670	" " " Screw Center (lower).....
55516	----	" " " " " 301C with 1508J
1508J	9670	" " " " " (lower) Nut....
649E	9671	" Screw.....
32677	9670	" Shaft.....
32678	----	" " 32677 with 32679 and 32680....
32681	----	" " 32678 with 32503 and 32517....
32503	9670	" " Bushing.....
443A	9670	" " " Set Screw.....
32679	9670	" " Slide Block (two pieces).....
32680	9670	" " " Retaining Clip....
32633	9670	" Side Cover (embossed).....

Furnished by Diamond Needle Corp.

No.	Plate	Name
51224B	9670	Arm Side Cover Thumb Screw.....
2007	9670	" Spool Pin.....
8879	9670	" " " Washer (cloth).....
32672	9670	Balance Wheel, 3 1/4 in. pulley.....
*32685	----	Bed.....
256B	9670	Clamp Stop Motion Clamp Screw.....
248A	9670	" " " " Stop Screw.....
2020	9670	" " " " Washer.....
32753	9670	" " " Flanged Bushing.....
32754	----	" " " " " 32753 with 256B.....
1148C	9670	Clamp Stop Motion Flanged Bushing Set Screw.....
32506	9672	Face Plate with 32630.....
107B	9672	" " Screw.....
32755	9672	" " Thread Guard.....
32630	----	" " " " 32755 with 125424
125424	9672	" " " " Rivet.....
51224B	9672	" " Thumb Screw.....
32507	9671	Feed Bar with 1944.....
1944	9671	" " Roller and Stud.....
315C	9671	" " Screw Center.....
15445	----	" " " " 315C with 1519J...
1519J	9671	" " " " Nut.....
32562	9670	" Cam with 1285C.....
1285C	9670	" " Set Screw.....
32600	9672	" Dog, 12 teeth (16 teeth to the inch) for 32602.....
191C	9672	Feed Dog Screw.....
32620	9670	" Forked Connection with 175J.....
175J	9670	" " " Clamping Screw...
32624	----	" " " 32620 with 1832..
1381C	9670	" " " Hinge Screw (eccen- tric).....
1520J	9670	Feed Forked Connection Hinge Screw Nut..
1832	9670	" " " Roller with 1085E
1085E	9670	" " " " Screw Stud
32510	9671	" Raising Bar with 1944.....
32638	9671	" " " 32510 with 1301C.....
1301C	9671	" " " Hinge Screw.....
1944	9671	" " " Roller and Stud.....
32688	9670	" Regulator.....
8217	9670	" " Friction Washer.....
51295E	9670	" " Hinge Screw.....
32581	9671	" Rock Shaft.....
307C	9671	" " " Screw Center.....
56814	----	" " " " 307C with 1513J.....
1513J	9671	Feed Rock Shaft Screw Center Nut.....

No.	Plate	Name
51045C	9671	Machine Hinge Connection Set Screw.....
32689	9673	Needle Bar with 32519.....
66558	9673	" " Bushing.....
66655	----	" " " 66558 with 665J and 66639.....
1133E	9673	Needle Bar Bushing Set Screw.....
32691	9673	" " Connecting Link with 66559...
32692	----	" " " " 32691 with 1130E and 32578.....
1130E	9673	Needle Bar Connecting Link Cap Screw....
66559	9673	" " " Stud with 1353C...
1353C	9673	" " " " Set Screw....
32517	9670	" " Crank with 1036C and 1134C ..
1134C	9670	" " " Position Screw.....
21360	9673	" " Hole Plug.....
66639	9673	" " Thread Guard.....
665J	9673	" " " " Screw.....
66561	9673	" " Timing Gauge.....
2054	9673	" Clamp with 552C.....
552C	9673	" " Thumb Screw.....
32519	9673	" Stop Pin.....
32520	9674	Oscillating Hook.....
32656	9671	" " Bell Crank.....
32657	----	" " " " 32656 with 50561C.....
50561C	9671	Oscillating Hook Bell Crank Hinge Screw.
32522	9674	" " Bobbin.....
32590	9674	" " " Case with 1172F, 1173D and 32567.....
32661	9674	Oscillating Hook Bobbin Case Cushion Spring.....
662D	9674	Oscillating Hook Bobbin Case Cushion Spring Screw.....
32659	9674	Oscillating Hook Bobbin Case Position Bracket.....
32662	9674	Oscillating Hook Bobbin Case Position Bracket Hinge Stud.....
50611J	9674	Oscillating Hook Bobbin Case Position Bracket Hinge Stud Set Screw.....
32663	9674	Oscillating Hook Bobbin Case Position Bracket Latch.....
50579D	9674	Oscillating Hook Bobbin Case Position Bracket Latch Screw.....
32598	9674	Oscillating Hook Bobbin Case Position Bracket Oil Pad (felt).....
32599	9674	Oscillating Hook Bobbin Case Position Bracket Oil Pad Holder.....
32660	9674	Oscillating Hook Bobbin Case Position Bracket complete, Nos. 662D, 32528, 32598, 32599, 32659, 32661 to 32664, 50579D and 50580E.....

No.	Plate	Name
1172F	9674	Oscillating Hook Bobbin Case Tension Regulating Screw.....
32567	9674	Oscillating Hook Bobbin Case Tension Spring.....
1173D	9674	Oscillating Hook Bobbin Case Tension Spring Screw.....
32664	9674	Oscillating Hook Bobbin Ejector.....
50580E	9674	" " " " Hinge Screw Stud.....
32528	9674	Oscillating Hook Bobbin Ejector Spring..
32529	9674	" " Connecting Link.....
1132C	9674	" " " " Hinge Screw.....
32594	9674	Oscillating Hook Crank with 1485J.....
1485J	9674	" " " Clamping Screw...
32531	9671	" " Pitman with two 175J...
175J	9671	" " " Adjusting Screw.
44C	9671	" " " Screw Stud (left)
1216C	9670	" " " " " (right)
216C	9670	" " " " " " "
		Cap Screw.....
1520J	9670	Oscillating Hook Pitman Screw Stud (right) Nut.....
32569	9672	Oscillating Hook Slide.....
32570	9672	" " " Friction Spring..
226J	9672	" " " " " "
		Screw.....
32693	9673	Presser Bar.....
32535	9673	" " Guide Bracket with 400K and 453C.....
400K	9673	Presser Bar Guide Bracket Adjusting Screw.....
453C	9673	Presser Bar Guide Bracket Set Screw.....
66564	9673	" " Lifter.....
85E	9673	" " " Screw.....
32675	9673	" " Spring.....
2070	9673	" " " Washer.....
32666	9673	" Foot.....
51224B	9673	" " Thumb Screw.....
263B	9673	Pressure Regulating Thumb Screw.....
32621	9673	Slack Thread Regulator.....
219E	9673	" " " Screw.....
32752	9670	Stitch Indicator Plate.....
140202S	9670	" " " Screw.....
2102	9672	Tension Disc.....
1560B	9672	" Regulating Thumb Nut.....
32572	9672	" Releasing Disc.....
32573	9673	" " Lever.....
97E	9673	" " " Hinge Screw.....

No.	Plate	Name
12329	9673	Tension Releasing Lever Spring.....
32574	9672	" " Pin.....
1274W	9672	" Screw Stud.....
8238	9672	" Spring.....
32654	9672	Tension complete, Nos. 1274W, 1560B, 8238, 32572, 32574 to 32576 and two 2102..
8422	9672	Thread Guard (head of arm).....
32578	9673	" Take-up Crank.....
1036C	9670	" " " Set Screw.....
32541	9673	" " Lever.....
32542	----	Thread Take-up Lever complete, Nos. 32541, 32543 and 32544.....
32696	----	Thread Take-up Lever 32542 with 1131C and 32692.....
32543	9673	Thread Take-up Lever Hinge Stud.....
32544	9673	" " " Link.....
1131C	9673	" " " Hinge Screw...
32575	9672	" " Spring.....
32576	9672	" " " Regulator.....
453C	9672	" " " Set Screw
32602	9672	Throat Plate for 32600.....
691A	9672	" " Screw.....
*45773	----	Trade Mark.....
15405	----	" " Rivet.....

SINGER Needles should be used
in SINGER Machines.
These Needles and their Containers
are marked with the
Company's Trade Mark "SIMANCO.***" 1

Needles in Containers marked
"FOR SINGER MACHINES"
are NOT **SINGER** made needles. 2

ACCESSORIES

No.	Plate	Name
120862	9675	Oil Can, 1 1/3 fluid oz. (filled with household oil)
120329	----	Machine Cover.....

ATTACHMENT SET

No.	Plate	Name
121461	9676	Binder Folder.....
121463	9676	" Foot.....
51104B	9676	" Screw.....
120565	9676	" " Washer.....
121464	9676	Binder complete, Nos. 51104B, 120565, 121461 and 121463.....
32522	9676	Bobbin (five).....
25527	9676	Cloth Guide.....
50053B	9676	" " Thumb Screw.....
35931	9676	Hemmer (adjustable).....
120842	9676	" (foot) 5/64 in. hem.....

25537	9676	Needles (six).....
120378	9676	Screw Driver (machine).....
8979	9676	" " (shuttle tension).....
36583	9676	Spool Pin Washer (cloth).....
120359	----	Tucker.....
		Attachment Set, Nos. 8879, 25527, 25537, 35931, 36583, 50053B, 120378, 120842, 121464, five 32522 and six needles..
120598	9676	Ruffler for one, six and twelve stitch ruffling.....
120607	9676	Attachment Set complete, Nos. 120359 and 120598.....

BOBBIN WINDER PARTS

No.	Plate	Name
32697	9670	Bracket.....
32698	9670	" 32697 with 15287, 15288 and 32699
140195J	9670	" Hinge Screw.....
176516	9670	" " " Friction Washer.....
15287	9670	Friction Ring (rubber).....

BOBBIN WINDER PARTS

No.	Plate	Name
15288	9670	Pulley.....
32699	9670	Spindle.....
32700	9670	Thread Guide.....
208J	9670	" " Screw.....

BIAS GAUGE

No.	Plate	Name
25525	9675	Bias Gauge.....

BRAIDER

No.	Plate	Name
25510	9677	Braider.....
289B	9677	" Thumb Screw.....

CORDER BOW

FOR TOP CORDING

No.	Plate	Name
26399	21382	Corder (bow) complete.....
190J	21382	" Screw.....

DARNING FOOT (Spring)

No.	Plate	Name
121091	21382	Darning Foot.....
121092	21382	" " Shank.....
121093	21382	" " Spring.....
121094	21382	Darning Foot (spring) complete, Nos. 121091 to 121093.....

EDGE STITCHER

No.	Plate	Name
36865	9677	Edge Stitcher.....

EMBROIDERY ATTACHMENT

FOR ONE THREAD

No.	Plate	Name
120876	-----	Driving Lever with 120877 and two 9859..
22232	-----	" " Friction Washer.....
26784	-----	" " Hinge Stud.....
26523	-----	" " Washer.....
26524	-----	Frame with 26525.....
26525	-----	" Block.....
26527	21383	Looper.....
468C	21383	" Set Screw.....
26528	21383	Scroll with 468C.....
26529	-----	" Carrier with 26531.....
22232	-----	" " Friction Washer.....
26530	-----	" " Hinge Stud.....
26531	-----	" " Pin.....
26532	-----	" Cover.....
26533	-----	" Driving Lever with 26534.....
26534	-----	" " Stud.....
26535	21383	Spool Pin, for Arm of Machine.....
120877	-----	Thread Bracket.....
9859	-----	" " Rivet.....
26537	21383	" Eyelet.....
26785	21383	" Retaining Spring.....
240J	21383	" " Screw.....
26538	21383	Embroidery Attachment complete, Nos. 240J, 26523, 26524, 26527 to 26530, 26532, 26533, 26535, 26537, 26784, 26785, 120876 and two 22232.....

EMBROIDERY ATTACHMENT

FOR TWO THREADS

No.	Plate	Name
35483	-----	Body.....
35484	-----	" Block.....
12152	-----	" " Rivet.....
35485	-----	Driving Lever.....
35486	-----	" " Arm (lower).....
35487	-----	" " " (upper).....
35488	-----	" " " Guide.....

EMBROIDERY ATTACHMENT

No.	Plate	Name
35489	-----	Driving Lever Arm Hinge Stud.....
35490	-----	" " " Spring.....
35491	-----	" " Hinge Stud.....
35492	-----	Thread Carrier (left).....
35493	-----	" " Hinge Stud.....
35494	-----	" " (right).....
50139B	21383	" " Hinge Screw.....
35495	-----	" " Friction Plate.....
35496	21383	Embroidery Attachment, Nos. 190B, 12152, 35483 to 35488, 35490 to 35495, 35498, 50139B and two 35489.....
190B	21383	Embroidery Attachment Screw.....
35497	-----	Spool Bracket.....
35498	-----	" " Stud.....
1422B	21383	" " Tension Regulating Thumb Screw.....
35499	21383	Spool Bracket Tension Spring.....
35500	-----	" " " Position Pin.....
35500	-----	" " Thread Guide Pin.....
35501	-----	" " Wire.....
35502	-----	" " Hinge Stud.....
35503	-----	" " " Washer.....
35504	21383	Spool Bracket complete, Nos. 1422B, 35497, 35499, 35502, 35503 and two each 35500 and 35501.....
35505	21383	Embroidery Attachment complete, Nos. 35496 and 35504.....

FEED COVER PLATES

No.	Plate	Name
32622	9675	Feed Cover Plate (flat top) for art work
32589	9675	" " " (oval top) for art work

FELLER

No.	Plate	Name
36835	9677	Feller (foot)

FINGER GUARD

No.	Plate	Name
121149	9677	Finger Guard.....

HEMMERS (Foot)

No.	Plate	Name
25904	9674	Hemmer (foot) 1/16 in. hem for silk ties
36333	9674	" " 1/16 in. hem for chiffon and silk.....
120842	9676	Hemmer (foot) 5/64 in. hem.....
25911	9674	" " 3/32 in. hem.....
25895	9674	" " 1/8 in. hem for shirt work
35884	9677	" " 3/16 in. hem.....
25893	9677	" " 1/4 in. hem.....
36469	9674	" " for chiffon and silk slotted for lace.....

HEMSTITCHER

No.	Plate	Name
120687	9677	Hemstitcher with yielding Presser Plate.

HEMSTITCHING AND PICOTING ATTACHMENT

No.	Plate	Name
121387	9678	Hemstitching and Picoting Attachment with Attachment Screw 51347A.....
51347A	9678	Hemstitching and Picoting Attachment Thumb Screw.....
121389	9678	Hemstitching and Picoting Attachment Throat Plate.....

REPLACEMENT PARTS FOR HEMSTITCHING AND PICOTING ATTACHMENT No. 121387

No.	Plate	Name
121591	9678	Feed Blade.....
121400	9678	" " Actuating Bracket.....

No.	Plate	Name
121401	9678	Feed Blade Actuating Bracket Gib.....
121402	9678	" " " " " Rivet..
121403	9678	" " " " " Washer.
121404	9678	" " " " " Rivet.....
121405	9678	" " Extension (left).....
121406	9678	" " " (right).....
121209	9678	" " " Foot (rubber).....
121210	9678	" " " Rivet.....
121211	9678	" " Position Stud.....
121212	9678	" " Spring.....
121573	9678	" Cam Lever.....
140112J	9678	" " " Hinge Screw.....
121465	9678	" " " " " Nut.....
121580	9678	" " Shaft and Ratchet Wheel.....
121592	9678	Fork Arm.....
121407	9678	Piercer.....
121408	9678	" Arm.....
121214	9678	" " Hinge Stud.....
121215	9678	" " Spring.....
51470A	9678	" Clamping Screw.....
121409	9678	" Holder.....
121410	9678	" " Adjusting Bracket.....
51415H	9678	" " " " " Screw..
51471B	9678	" " Screw.....
121582	9678	Ratchet Wheel Pawl.....
121583	9678	" " " Rivet.....
121275	9678	" " " Spring.....
121221	9678	" " " " Rivet.....

NEEDLE THREADER (Universal)

No.	Plate	Name
121541	9675	Needle Threader (universal).....
121424	9675	" " " Hook.....
140157J	9675	" " " " Screw.....

PRESSER FOOT WITH GRADUATED ADJUSTABLE GUIDES

No.	Plate	Name
121717	9675	Presser Foot for 121718.....
35002	9675	" " Extension.....

16 PRESSER FOOT WITH GRADUATED ADJUSTABLE GUIDES

No.	Plate	Name
35003	9675	Presser Foot Graduated Adjustable Guide (long, left).....
35004	9675	Presser Foot Graduated Adjustable Guide (long, right).....
35005	9675	Presser Foot Graduated Adjustable Guide (short, right).....
35006	9675	Presser Foot Graduated Adjustable Guide (short, right) flush.....
35135	9675	Presser Foot Graduated Adjustable Guide Clamp.....
35206	9675	Presser Foot Graduated Adjustable Guide Clamp Lever.....
337D	9675	Presser Foot Graduated Adjustable Guide Clamp Screw.....
36696	9675	Presser Foot Graduated Adjustable Guide Clamp Steady Pin.....
121718	9675	Presser Foot with Extension and Graduated Adjustable Guides complete, Nos. 337D, 35002 to 35006, 35135, 35206, 36696 and 121717.....

PRESSER FEET

No.	Plate	Name
15429	9677	Presser Foot (left toe) for stitching on edge and inserting braid.....
125035	9677	Presser Foot (right toe) for stitching on edge and inserting braid.....
28831	9674	Presser Foot for darning.....
121614	9677	" " with 51282J and 121615 for blind stitch braiding for soutache braid.....
121615	9677	Presser Foot Braid Guide.....
<p>Note: When ordering Nos. 121614 or 121615, send sample of braid for which it is required.</p>		
51282J	9677	Presser Foot Braid Guide Screw.....
36058	9677	" " with 665B and 36059, for blind stitch cording to turn small curves.....
36059	9677	Presser Foot Cord Guide.....
<p>Note: When ordering Nos. 36058 or 36059, send sample of cord for which it is required.</p>		
665B	9677	Presser Foot Cord Guide Screw.....
36067	9677	" " for braiding for art work for braid 1/16 in. to 3/16 in. wide.
<p>Note: In ordering number 36067, state the size or send a sample of the braid for which it is required</p>		

PRESSER FEET

17

No.	Plate	Name
25978	9677	Presser Foot (single toe) for gathering.
121441	9677	" " (double toe) for gathering.

QUILTER

No.	Plate	Name
35932	9677	Quilter.....

RUFFLER

No.	Plate	Name
120598	9676	Ruffler for one, six and twelve stitch ruffling.....

RUFFLER SHIRRING PLATE (Universal)

No.	Plate	Name
121170	21382	Ruffler Shirring Plate (universal) with 51395W.....
51395W	21382	Ruffler Shirring Plate Thumb Screw.....

TUBULAR TRIMMING ATTACHMENT

No.	Plate	Name
35018	21382	Strip Delivery Blade.....
120824	21382	" Wire.....
35984	21382	Presser Foot (strip folding) with tube..
35985	21382	Tubular Trimming Attachment complete, for making 3/32 in., 1/8 in., and 5/32. trimmings, Nos. 35018, 35984 and 120824.....

Note: When ordering No. 35985, state size required.

UNDER BRAIDER

No.	Plate	Name
121547	21382	Under Braider.....
25637	21382	" " Foot.....

From the library of: Diamond Needle Corp

CHART FOR SERIES 4 MOTORS

Volts	Cycles	Amperes	Motor Catalog No.
32	D.C.	1.5	4-32
50	D.C. and 25 to 75 Cycles A.C.	1.0	4-50
95-100	D.C. and 25 to 75 Cycles A.C.	.7	4-100
100-110	D.C. and 25 to 75 Cycles A.C.	.65	4-110
115-125	D.C. and 25 to 75 Cycles A.C.	.6	4-125
100-110	80 to 100 Cycles A.C.	.75	4-118

MOTOR PARTS

No.	Plate	Name
194901	----	Armature complete for 4-32 Motor.....
194902	----	" " " 4-50 Motor.....
194900	9680	" " " 4-100 and 4-110 Motors.....
194909	----	Armature complete for 4-118 Motor.....
194903	----	" " " 4-125 Motor.....
191097	9680	" Shaft Thrust Washer (fibre)...
191098	9680	" " " (peerless paper).....
193077	9680	Belt (moulded).....
192457	9680	Brush (carbon) for 4-32, 4-50, 4-100, 4-110, 4-118 and 4-125 Motors.....
193543	9680	Brush Cap.....
192458	9680	" Spring.....
194113	9680	" Tube.....
193546	9680	" " Insulating Bushing (moulded)
50518C	9680	" " " " Set Screw
*193536	----	Commutator complete.....
194819	9680	End Cover (commutator end) with Shaft Bearing Sleeve.....
194818	9680	End Cover (pulley end) with Shaft Bearing Sleeve.....
51366R	9680	End Cover Screw.....
194728	----	Field Coil complete for 4-32 Motor....
194731	----	Field Coil complete for 4-50 Motor....
194734	----	Field Coil complete for 4-100 Motor....
194737	9680	Field Coil complete for 4-110 Motor....
194755	----	Field Coil complete for 4-118 Motor....
194740	----	Field Coil complete for 4-125 Motor....

MOTOR PARTS

No.	Plate	Name
192424	9680	Field Coil Retainer.....
193879	9680	Field Core complete.....
193881	9680	Grease Cup.....
194097	9680	" " Wick (felt).....
194104	----	" " " 194097 with 193527.....
193527	9680	" " " Spring.....
194716	9680	Lead Cord (8 ft. long) complete, from Terminal Box to Socket.....
876363	9680	Lead Connector (large).....
965105	9680	" " (small).....
931306	9680	" Grommet (fibre).....
194717	9680	" Strain Relief.....
50632C	9680	Motor Screw.....
190058	9680	" " Retaining Washer (fibre)....
191417	9680	" " Washer.....
899910	9680	Name Plate and Core Shield for 4-110 Motor.....
899911	----	Name Plate and Core Shield for all Motors except 4-110 Motor.....
190087	9680	Pulley.....
190086	----	" 190087 with 460C.....
460C	9680	" Set Screw.....
194702	9680	Terminal Box Cover.....
140202R	9680	" " " Screw.....
194766	9680	" " Insulation.....
190439	----	Tube, filled with Singer Motor Lubricant
190613	9680	" 190439 with 190612.....
190612	----	" Carton (paper).....

CONTROLLERS

CONVERTIBLE FOR FOOT OR KNEE CONTROL

No.	Plate	Name
194830	9679	Controller complete, convertible for Foot or Knee Control, for 32 to 55 volts, A.C. or D.C. Motor.....
194831	----	Controller complete, convertible for Foot or Knee Control, for 95 to 125 volts, A.C. or D.C. Motor.....
136244	9679	Controller Holder with two wood screws 1/2 in. No. 7 R.H.....
194836	9679	Controller Lead 39 1/2 in. long (from Controller to Terminal Box).....
194711	9679	Controller Lead Bushing (black fibre)...
194712	9679	" " " Clip.....

SPOTLIGHT

No.	Plate	Name
*194709	----	Spotlight with Lead.....
194710	9679	" Bracket with 140186B.....
140186B	9679	" " Clamping Screw.....
194704	9679	Spotlight complete, Nos. 691J, 97359, 194242, 194709 and 194710.....
691J	9679	Spotlight Screw.....
97359	9679	" " Retaining Washer.....

SPOTLIGHT LAMP

No.	Plate	Name
194242	9679	Spotlight Lamp.....

Note: When ordering No. 194242, state voltage required.

MEDICAL USE

NUMERICAL LIST OF PARTS

From the library of: Diamond Needle Corp

NUMERICAL LIST OF PARTS

No.	Plate	Name
44C	9671	Oscillating Hook Pitman Screw Stud (left).....
85E	9673	Presser Bar Lifter Screw.....
97E	9673	Tension Releasing Lever Hinge Screw.....
107B	9672	Face Plate Screw.....
175J	9670	Feed Forked Connection Clamping Screw for 32620.....
175J	9671	Oscillating Hook Pitman Adjusting Screw for 32531.....
190J	21382	Corder Screw.....
190B	21383	Embroidery Attachment Screw for 35496...
191C	9672	Feed Dog Screw.....
208J	9670	Bobbin Winder Thread Guide Screw.....
216C	9670	Oscillating Hook Pitman Screw Stud (right) Cap Screw.....
219E	9673	Slack Thread Regulator Screw.....
226J	9672	Oscillating Hook Slide Friction Spring Screw.....
240J	21383	Embroidery Attachment Thread Retaining Spring Screw for 26538.....
248A	9670	Clamp Stop Motion Clamp Stop Screw.....
256B	9670	" " " " Screw for 32754.
263B	9673	Pressure Regulating Thumb Screw.....
289B	9677	Braider Thumb Screw.....
301C	9670	Arm Rock Shaft Screw Center (lower) for 55516.....
307C	9671	Feed Rock Shaft Screw Center for 56814..
315C	9671	" Bar Screw Center for 15445.....
337D	9675	Presser Foot Graduated Adjustable Guide Clamp Screw for 121718.....
400K	9673	Presser Bar Guide Bracket Adjusting Screw for 32535.....
443A	9670	Arm Shaft Bushing Set Screw.....
453C	9673	Presser Bar Guide Bracket Set Screw for 32535.....
453C	9672	Thread Take-up Spring Regulator Set Screw.....
460C	9680	Pulley Set Screw for 190086.....
468C	21383	Embroidery Attachment Looper Set Screw for 26528.....
552C	9673	Needle Clamp Thumb Screw for 2054.....
649E	9671	Arm Screw.....
662D	9674	Oscillating Hook Bobbin Case Cushion Spring Screw for 32660.....
665J	9673	Needle Bar Thread Guard Screw for 66655.
665B	9677	Presser Foot Cord Guide Screw for 36058.
691J	9679	Spotlight Screw for 194704.....

NUMERICAL LIST OF PARTS

No.	Plate	Name
691A	9672	Throat Plate Screw.....
1036C	9670	Thread Take-up Crank Set Screw for 32517
1085E	9670	Feed Forked Connection Roller Screw Stud for 1832.....
1130E	9673	Needle Bar Connecting Link Cap Screw for 32692.....
1131C	9673	Thread Take-up Lever Link Hinge Screw for 32696.....
1132C	9674	Oscillating Hook Connecting Link Hinge Screw.....
1133E	9673	Needle Bar Bushing Set Screw.....
1134C	9670	" " Crank Position Screw for 32517
1148C	9670	Clamp Stop Motion Flanged Bushing Set Screw.....
1172F	9674	Oscillating Hook Bobbin Case Tension Regulating Screw for 32590.....
1173D	9674	Oscillating Hook Bobbin Case Tension Spring Screw for 32590.....
1216C	9670	Oscillating Hook Pitman Screw Stud (right) for 32682.....
1274W	9672	Tension Screw Stud for 32654.....
1285C	9670	Feed Cam Set Screw for 32562.....
1301C	9671	" Raising Bar Hinge Screw for 32638..
1353C	9673	Needle Bar Connecting Stud Set Screw for 66559.....
1381C	9670	Feed Forked Connection Hinge Screw (eccentric).....
1422B	21383	Embroidery Attachment Spool Bracket Tension Regulating Thumb Screw for 35504.....
1485J	9674	Oscillating Hook Crank Clamping Screw for 32594.....
1508J	9670	Arm Rock Shaft Screw Center (lower) Nut for 55516.....
1513J	9671	Feed Rock Shaft Screw Center Nut for 56814.....
1519J	9671	Feed Bar Screw Center Nut for 15445.....
1520J	9670	" Forked Connection Hinge Screw Nut.
1520J	9670	Oscillating Hook Pitman Screw Stud (right) Nut for 32682.....
1560B	9672	Tension Regulating Thumb Nut for 32654..
1832	9670	Feed Forked Connection Roller with 1085E, for 32624.....
1944	9671	Feed Bar Roller and Stud for 32507.....
1944	9671	" Raising Bar Roller and Stud for 32510.....
2007	9670	Arm Spool Pin.....
2020	9670	Clamp Stop Motion Clamp Washer.....
2054	9673	Needle Clamp with 552C.....

NUMERICAL LIST OF PARTS

No.	Plate	Name
2070	9673	Presser Bar Spring Washer.....
2102	9672	Tension Disc for 32654.....
4389	9671	Arm Dowel Pin.....
8204	9670	" Rock Shaft Center (upper).....
8217	9670	Feed Regulator Friction Washer.....
8238	9672	Tension Spring for 32654.....
8422	9672	Thread Guard (head of arm).....
8879	9670	Arm Spool Pin Washer (cloth).....
8879	9676	Spool Pin Washer (cloth) for 120359.....
9859	----	Embroidery Attachment Thread Bracket Rivet for 120876.....
12152	----	Embroidery Attachment Body Block Rivet for 35496.....
12329	9673	Tension Releasing Lever Spring.....
15287	9670	Bobbin Winder Friction Ring (rubber) for 32698.....
15288	9670	Bobbin Winder Pulley for 32698.....
15405	----	Trade Mark Rivet for 32684.....
15429	9677	Presser Foot (left toe) for stitching on edge and inserting braid.....
15445	----	Feed Bar Screw Center 315C with 1519J..
21360	9673	Needle Bar Hole Plug.....
22232	----	Embroidery Attachment Driving Lever Friction Washer for 26538.....
22232	----	Embroidery Attachment Scroll Carrier Friction Washer for 26538.....
25510	9677	Braider.....
25525	9675	Bias Gauge.....
25527	9676	Cloth Guide for 120359.....
25537	9676	Screw Driver (machine) for 120359.....
25537	21382	Under Braider Foot.....
25893	9677	Hemmer (foot) 1/4 in. hem.....
25895	9674	" " 1/8 in. hem for shirt work
25904	9674	" " 1/16 in. hem for silk ties
25911	9674	" " 3/32 in. hem.....
25978	9677	Presser Foot (single toe) for gathering.
26399	21382	Corder (bow) complete for top cording...
26523	----	Embroidery Attachment Driving Lever Washer for 26538.....
26524	----	Embroidery Attachment Frame with 26525, for 26538.....
26525	----	Embroidery Attachment Frame Block for 26524.....
26527	21383	Embroidery Attachment Looper for 26538..
26528	21383	" " Scroll with 468C, for 26538.....
26529	----	Embroidery Attachment Scroll Carrier with 26531, for 26538.....
26530	----	Embroidery Attachment Scroll Carrier Hinge Stud for 26538.....

No.	Plate	Name
26531	----	Embroidery Attachment Scroll Carrier Pin for 26529.....
26532	----	Embroidery Attachment Scroll Cover for 26538.....
26533	----	Embroidery Attachment Scroll Driving Lever with 26534, for 26538.....
26534	----	Embroidery Attachment Scroll Driving Lever Stud for 26533
26535	21383	Embroidery Attachment Spool Pin for Arm of Machine for 26538.....
26537	21383	Embroidery Attachment Thread Eyelet for 26538.....
26538	21383	Embroidery Attachment complete for one thread, Nos. 240J, 26523, 26524, 26527 to 26530, 26532, 26533, 26535, 26537, 26784, 26785, 120876 and two 22232..
26784	----	Embroidery Attachment Driving Lever Hinge Stud for 26538.....
26785	21383	Embroidery Attachment Thread Retaining Spring for 26538.....
28831	9674	Presser Foot for darning.....
32503	9670	Arm Shaft Bushing for 32681.....
32508	9672	Face Plate with 32630.....
32507	9671	Feed Bar with 1944.....
32510	9671	" Raising Bar with 1944, for 32638...
32517	9670	Needle Bar Crank with 1036C and 1134C, for 32681.....
32519	9673	Needle Stop Pin for 32689.....
32520	9674	Oscillating Hook.....
32522	9676	Bobbin for 120359.....
32522	9674	Oscillating Hook Bobbin.....
32528	9674	" " " Ejector Spring for 32660.....
32529	9674	Oscillating Hook Connecting Link.....
32531	9671	" " Pitman with two 175J...
32535	9673	Presser Bar Guide Bracket with 400K and 453C.....
32541	9673	Thread Take-up Lever for 32542.....
32542	----	Thread Take-up Lever complete for 32696, Nos. 32541, 32543 and 32544.....
32543	9673	Thread Take-up Lever Hinge Stud for 32542.....
32544	9673	Thread Take-up Lever Link for 32542.....
32562	9670	Feed Cam with 1285C.....
32567	9674	Oscillating Hook Bobbin Case Tension Spring for 32590.....
32569	9672	Oscillating Hook Slide.....
32570	9672	" " " Friction Spring..
32572	9672	Tension Releasing Disc for 32654.....

No.	Plate	Name
32573	9673	Tension Releasing Lever.....
32574	9672	" " Pin for 32654.....
32575	9672	Thread Take-up Spring for 32654.....
32576	9672	" " " Regulator for 32654
32578	9673	" " Crank for 32692.....
32581	9671	Feed Rock Shaft.....
32589	9675	" Cover Plate (oval top) for art work
32590	9674	Oscillating Hook Bobbin Case with 1172F, 1173D and 32567.....
32594	9674	Oscillating Hook Crank with 1485J.....
32598	9674	" " Bobbin Case Position Bracket Oil Pad (felt) for 32660....
32599	9674	Oscillating Hook Bobbin Case Position Bracket Oil Pad Holder for 32660....
32600	9672	Feed Dog, 12 teeth (16 teeth to the inch) for 32602.....
32602	9672	Throat Plate for 32600.....
32620	9670	Feed Forked Connection with 175J, for 32624.....
32621	9673	Slack Thread Regulator.....
32622	9675	Feed Cover Plate (flat top) for art work
32624	----	" Forked Connection 32620 with 1832..
32630	----	Face Plate Thread Guard 32755 with 125424, for 32506.....
32633	9670	Arm Side Cover (embossed).....
32638	9671	Feed Raising Bar 32510 with 1301C.....
32654	9672	Tension complete, Nos. 1274W, 1560B, 823B, 32572, 32574 to 32576 and two 2102..
32656	9671	Oscillating Hook Bell Crank for 32657...
32657	----	" " " " 32656 with 50561C.....
32659	9674	Oscillating Hook Bobbin Case Position Bracket for 32660.....
32680	9674	Oscillating Hook Bobbin Case Position Bracket complete, Nos. 662D, 32528, 32598, 32599, 32659, 32661 to 32664, 50579D and 50580E.....
32661	9674	Oscillating Hook Bobbin Case Cushion Spring for 32660.....
32662	9674	Oscillating Hook Bobbin Case Position Bracket Hinge Stud for 32660.....
32663	9674	Oscillating Hook Bobbin Case Position Bracket Latch for 32660.....
32664	9674	Oscillating Hook Bobbin Ejector for 32660.....
32666	9673	Presser Foot.....
32672	9670	Balance Wheel 3 1/4 in. pulley.....
32675	9673	Presser Bar Spring.....
32676	9670	Arm Rock Shaft with 50571E, for 32682...

NUMERICAL LIST OF PARTS

No.	Plate	Name
32677	9670	Arm Shaft for 32676.....
32678	----	" " 32677 with 32579 and 32680, for 32681.....
32679	9670	Arm Shaft Slide Block (two pieces) for 32678.....
32680	9670	Arm Shaft Slide Block Retaining Clip for 32678.....
32681	----	Arm Shaft 32678 with 32503 and 32517....
32682	----	" Rock Shaft 32676 with 1216C and 1520J
32683	9670	" Oil Tube, for oiling 32679.....
*32684	----	" with 45773 and two 15405.....
*32685	----	Bed.....
32686	9670	Feed Regulator.....
32689	9673	Needle Bar with 32519.....
32691	9673	" " Connecting Link with 66559, for 32692.....
32692	----	Needle Bar Connecting Link 32691 with 1130E and 32578, for 32696.....
32693	9673	Presser Bar.....
32696	----	Thread Take-up Lever 32542 with 1131C and 32692.....
32697	9670	Bobbin Winder Bracket for 32698.....
32698	9670	" " " 32697 with 15287, 15288 and 32699.....
32699	9670	Bobbin Winder Spindle for 32698.....
32700	9670	" " Thread Guide.....
32752	9670	Stitch Indicator Plate.....
32753	9670	Clamp Stop Motion Flanged Bushing for 32754.....
32754	----	Clamp Stop Motion Flanged Bushing 32753 with 256B.....
32755	9672	Face Plate Thread Guard for 32630.....
35002	9675	Presser Foot Extension for 121718.....
35003	9675	" " Graduated Adjustable Guide (long, left) for 121718.....
35004	9675	Presser Foot Graduated Adjustable Guide (long, right) for 121718.....
35005	9675	Presser Foot Graduated Adjustable Guide (short, right) for 121718.....
35006	9675	Presser Foot Graduated Adjustable Guide (short, right) flush for 121718.....
35018	21382	Tubular Trimming Attachment Strip De- livery Blade for 35985.....
35135	9675	Presser Foot Graduated Adjustable Guide Clamp for 121718.....
35206	9675	Presser Foot Graduated Adjustable Guide Clamp Lever for 121718.....
35483	----	Embroidery Attachment Body for 35496....
35484	----	" " " Block for 35496

NUMERICAL LIST OF PARTS

No.	Plate	Name
35485	----	Embroidery Attachment Driving Lever for 35496.....
35486	----	Embroidery Attachment Driving Lever Arm (lower) for 35496.....
35487	----	Embroidery Attachment Driving Lever Arm (upper) for 35496.....
35488	----	Embroidery Attachment Driving Lever Arm Guide for 35496.....
35489	----	Embroidery Attachment Driving Lever Arm Hinge Stud for 35496.....
35490	----	Embroidery Attachment Driving Lever Arm Spring for 35496.....
35491	----	Embroidery Attachment Driving Lever Hinge Stud for 35496.....
35492	----	Embroidery Attachment Thread Carrier (left) for 35496.....
35493	----	Embroidery Attachment Thread Carrier (left) Hinge Stud for 35496.....
35494	----	Embroidery Attachment Thread Carrier (right) for 35496.....
35495	----	Embroidery Attachment Thread Carrier Friction Plate for 35496.....
35496	21383	Embroidery Attachment, Nos. 190B, 12152, 35483 to 35488, 35490 to 35495, 35498, 50139B and two 35499, for 35505.....
35497	----	Embroidery Attachment Spool Bracket for 35504.....
35498	----	Embroidery Attachment Spool Bracket Stud for 35496.....
35499	21383	Embroidery Attachment Spool Bracket Ten- sion Spring for 35504.....
35500	----	Embroidery Attachment Spool Bracket Ten- sion Spring Position Pin for 35504..
35500	----	Embroidery Attachment Spool Bracket Thread Guide Pin for 35504.....
35501	----	Embroidery Attachment Spool Bracket Wire for 35504.....
35502	----	Embroidery Attachment Spool Bracket Wire Hinge Stud for 35504.....
35503	----	Embroidery Attachment Spool Bracket Wire Hinge Stud Washer for 35504.....
35504	21383	Embroidery Attachment Spool Bracket com- plete, for 35505, Nos. 1422B, 35497, 35499, 35502, 35503 and two each 35500 and 35501.....
35505	21383	Embroidery Attachment complete for two threads, Nos. 35496 and 35504.....
35884	9677	Hemmer (foot) 3/16 in. hem.....
35931	9676	" (adjustable) for 120359.....

NUMERICAL LIST OF PARTS

No.	Plate	Name
35932	9677	Quilter.....
35984	21382	Presser Foot (strip folding) with tube for 35985.....
35985	21382	Tubular Trimming Attachment complete for making 3/32 in., 1/8 in. and 5/32 in. trimmings, Nos. 35018, 35984 and 120824.....
36058	9677	Presser Foot with 665B and 36059, for blind stitch cording to turn small curves.....
36059	9677	Presser Foot Cord Guide for 36058.....
36067	9677	" " for braiding for art work for braid 1/16 in. to 3/16 in. wide.
36333	9674	Hemmer (foot) 1/16 in. hem for chiffon and silk.....
36469	9674	Hemmer (foot) for chiffon and silk slotted for lace.....
36583	9676	Tucker for 120359.....
36696	9675	Presser Foot Graduated Adjustable Guide Clamp Steady Pin for 121718.....
36835	9677	Feller (foot).....
36865	9677	Edge Stitcher.....
45773	----	Trade Mark for 32684.....
50053B	9676	Cloth Guide Thumb Screw for 120359.....
50139B	21383	Embroidery Attachment Thread Carrier (right) Hinge Screw for 35496.....
50518C	9680	Brush Tube Insulating Bushing Set Screw.
50561C	9671	Oscillating Hook Bell Crank Hinge Screw for 32657.....
50571E	9670	Arm Rock Shaft Adjusting Screw for 32676
50579D	9674	Oscillating Hook Bobbin Case Position Bracket Latch Screw for 32660.....
50580E	9674	Oscillating Hook Bobbin Ejector Hinge Screw Stud for 32660.....
50611J	9674	Oscillating Hook Bobbin Case Position Bracket Hinge Stud Set Screw.....
50632C	9680	Motor Screw.....
51045C	9671	Machine Hinge Connection Set Screw.....
51104B	9676	Binder Screw for 121464.....
51224B	9670	Arm Side Cover Thumb Screw.....
51224B	9672	Face Plate Thumb Screw.....
51224B	9673	Presser Foot Thumb Screw.....
51282J	9677	" " Braid Guide Screw for 121614
51295E	9670	Feed Regulator Hinge Screw.....

NUMERICAL LIST OF PARTS

No.	Plate	Name
51347A	9678	Hemstitching and Picoting Attachment Thumb Screw for 121387.....
51366R	9680	End Cover Screw.....
51395W	21382	Ruffler Shirring Plate Thumb Screw for 121170.....
51415H	9678	Hemstitching and Picoting Attachment Piercer Holder Adjusting Bracket Screw.....
51470A	9678	Hemstitching and Picoting Attachment Piercer Clamping Screw.....
51471B	9678	Hemstitching and Picoting Attachment Piercer Holder Screw.....
55516	----	Arm Rock Shaft Screw Center 301C with 1508J.....
56814	----	Feed Rock Shaft Screw Center 307C with 1513J.....
66558	9673	Needle Bar Bushing for 66655.....
66559	9673	" " Connecting Stud with 1353C, for 32691.....
66561	9673	Needle Bar Timing Gauge.....
66564	9673	Presser Bar Lifter.....
66639	9673	Needle Bar Thread Guard for 66655.....
66655	----	" " Bushing 66558 with 665J and 66639.....
97359	9679	Spotlight Screw Retaining Washer for 194704.....
120329	----	Machine Cover (Accessories).....
120359	----	Attachment Set, Nos. 8879, 25527, 25537, 35931, 36583, 50053B, 120378, 120842, 121464, five 32522 and six needles for 120607.....
120378	9676	Screw Driver (shuttle tension) for 120359.....
120565	9676	Binder Screw Washer for 121464.....
120598	9676	Ruffler for one six and twelve stitch ruffling for 120607.....
120607	9676	Attachment Set complete, Nos. 120359 and 120598.....
120687	9677	Hemstitcher with yielding Presser Plate.
120824	21382	Tubular Trimming Attachment Strip Wire for 35985.....
120842	9676	Hemmer (foot) 5/64 in. hem for 120359...
120862	9675	Oil Can, 1 1/3 fluid oz. (filled with household oil) Accessories
120876	----	Embroidery Attachment Driving Lever with 120877 and two 9859, for 26538.....
120877	----	Embroidery Attachment Thread Bracket for 120876.....
121091	21382	Darning Foot for 121094.....
121092	21382	" " Shank for 121094.....
121093	21382	" " Spring for 121094.....

NUMERICAL LIST OF PARTS

No.	Plate	Name
121094	21382	Darning Foot (spring) complete, Nos. 121091 to 121093.....
121149	9677	Finger Guard.....
121170	21382	Ruffler Shirring Plate (universal) with 5139FW.....
121209	9678	Hemstitching and Picoting Attachment Feed Blade Extension Foot (rubber)..
121210	9678	Hemstitching and Picoting Attachment Feed Blade Extension Rivet.....
121211	9678	Hemstitching and Picoting Attachment Feed Blade Position Stud.....
121212	9678	Hemstitching and Picoting Attachment Feed Blade Spring.....
121214	9678	Hemstitching and Picoting Attachment Piercer Arm Hinge Stud.....
121215	9678	Hemstitching and Picoting Attachment Piercer Arm Spring.....
121221	9678	Hemstitching and Picoting Attachment Ratchet Wheel Pawl Spring Rivet....
121275	9678	Hemstitching and Picoting Attachment Ratchet Wheel Pawl Spring.....
121337	9678	Hemstitching and Picoting Attachment with Attachment Screw 51347A.....
121389	9678	Hemstitching and Picoting Attachment Throat Plate.....
121400	9678	Hemstitching and Picoting Attachment Feed Blade Actuating Bracket.....
121401	9678	Hemstitching and Picoting Attachment Feed Blade Actuating Bracket Gib....
121402	9678	Hemstitching and Picoting Attachment Feed Blade Actuating Bracket Gib Rivet.....
121403	9678	Hemstitching and Picoting Attachment Feed Blade Actuating Bracket Gib Washer.....
121404	9678	Hemstitching and Picoting Attachment Feed Blade Actuating Bracket Rivet..
121405	9678	Hemstitching and Picoting Attachment Feed Blade Extension (left).....
121406	9678	Hemstitching and Picoting Attachment Feed Blade Extension (right).....
121407	9678	Hemstitching and Picoting Attachment Piercer.....
121408	9678	Hemstitching and Picoting Attachment Piercer Arm.....
121409	9678	Hemstitching and Picoting Attachment Piercer Holder.....
121410	9678	Hemstitching and Picoting Attachment Piercer Holder Adjusting Bracket....

NUMERICAL LIST OF PARTS

No.	Plate	Name
121424	9675	Needle Threader Hook.....
121441	9677	Presser Foot (double toe) for gathering.
121461	9676	Binder Folder for 121464.....
121463	9676	Binder Foot for 121464.....
121464	9676	Binder complete for 120359, Nos. 51104B, 120565, 121461 and 121463.....
121465	9678	Hemstitching and Picoting Attachment Feed Cam Lever Hinge Screw Nut.....
121541	9675	Needle Threader (universal).....
121547	21382	Under Braider.....
121573	9678	Hemstitching and Picoting Attachment Feed Cam Lever.....
121580	9678	Hemstitching and Picoting Attachment Feed Cam Shaft and Ratchet Wheel....
121582	9678	Hemstitching and Picoting Attachment Ratchet Wheel Pawl.....
121583	9678	Hemstitching and Picoting Attachment Ratchet Wheel Pawl Rivet.....
121591	9678	Hemstitching and Picoting Attachment Feed Blade.....
121592	9678	Hemstitching and Picoting Attachment Fork Arm.....
121614	9677	Presser Foot with 51282J and 121615, for blind stitch braiding, for soutache braid.....
121615	9677	Presser Foot Braid Guide for 121614....
121717	9675	" " for 121718.....
121718	9675	" " with Extension and Graduated Adjustable Guides complete, Nos. 337D, 35002 to 35006, 35135, 35206, 36696 and 121717.....
125035	9677	Presser Foot (right toe) for stitching on edge and inserting braid.....
125424	9672	Face Plate Thread Guard Rivet for 32630.
136244	9679	Controller Holder with two wood screws 1/2 in. No. 7 R.H.....
140112J	9678	Hemstitching and Picoting Attachment Feed Cam Lever Hinge Screw.....
140157J	9675	Needle Threader Hook Screw.....
140185J	9670	Bobbin Winder Bracket Hinge Screw.....
140186B	9679	Spotlight Bracket Clamping Screw for 194710.....
140202S	9670	Stitch Indicator Plate Screw.....
140202R	9680	Terminal Box Cover Screw.....
176516	9670	Bobbin Winder Bracket Hinge Screw Friction Washer.....
190058	9680	Motor Screw Retaining Washer (fibre)....
190086	---	Pulley 190087 with 460C.....
190087	9580	Pulley for 190086.....

No.	Plate	Name
190439	----	Tube, filled with Singer Motor Lubricant for 190613.....
190612	----	Tube Carton (paper) for 190613.....
190613	9680	Tube 190439 with 190612..
191097	9680	Armature Shaft Thrust Washer (fibre)....
191098	9680	" " " " (peerless paper).....
191417	9680	Motor Screw Washer.....
192424	9680	Field Coil Retainer.....
192457	9680	Brush (carbon) for 4-32, 4-50, 4-100, 4-110, 4-118 and 4-125 Motors.....
192458	9680	Brush Spring.....
193077	9680	Belt (moulded).....
193527	9680	Grease Cup Wick Spring for 194104.....
*193536	----	Commutator complete.....
193543	9680	Brush Cap.....
193546	9680	" Tube Insulating Bushing (moulded).
193879	9680	Field Core complete.....
193881	9680	Grease Cup.....
194097	9680	" " Wick (felt) for 194104.....
194104	----	" " " 194097 with 193527.....
194113	9680	Brush Tube.....
194242	9679	Spotlight Lamp for 194704.....
194702	9680	Terminal Box Cover
194704	9679	Spotlight complete, Nos. 691J, 97359, 194242, 194709 and 194710.....
*194709	----	Spotlight with Lead for 194704.....
194710	9679	" Bracket with 140186B, for 194704
194711	9679	Controller Lead Bushing (black fibre)...
194712	9679	" " " Clip.....
194716	9680	Lead Cord (8 ft. long) complete from Terminal Box to Socket.....
194717	9680	Lead Strain Relief
194728	----	Field Coil complete for 4-32 Motor.....
194731	----	Field Coil complete for 4-50 Motor.....
194734	----	Field Coil complete for 4-100 Motor.....
194737	9680	Field Coil complete for 4-110 Motor.....
194740	----	Field Coil complete for 4-125 Motor.....
194755	----	Field Coil complete for 4-118 Motor.....
194766	9680	Terminal Box Insulation.....
194818	9680	End Cover (pulley end) with Shaft Bearing Sleeve.....
194819	9680	End Cover (commutator end) with Shaft Bearing Sleeve.....
194830	9679	Controller complete, convertible for Foot or Knee Control, for 32 to 55 volts, A.C. or D.C. Motor.....
194831	----	Controller complete, convertible for Foot or Knee Control, for 95 to 125 volts, A.C. or D.C. Motor.....

No.	Plate	Name
194836	9679	Controller Lead 39 1/2 in. long (from Controller to Terminal Box).....
194900	9680	Armature complete for 4-100 and 4-110 Motors.....
194901	----	Armature complete for 4-32 Motor.....
194902	----	Armature complete for 4-50 Motor.....
194903	----	Armature complete for 4-125 Motor.....
194909	----	Armature complete for 4-118 Motor.....
876363	9680	Lead Connector (large).....
899910	9680	Name Plate and Core Shield for 4-110 Motor.....
899911	----	Name Plate and Core Shield for all Motors except 4-110 Motor.....
931306	9680	Lead Grommet (fibre).....
965105	9680	" Connector (small).....

SINGER Needles should be used
in SINGER Machines.
These Needles and their Containers
are marked with the
Company's Trade Mark "SIMANCO." 1

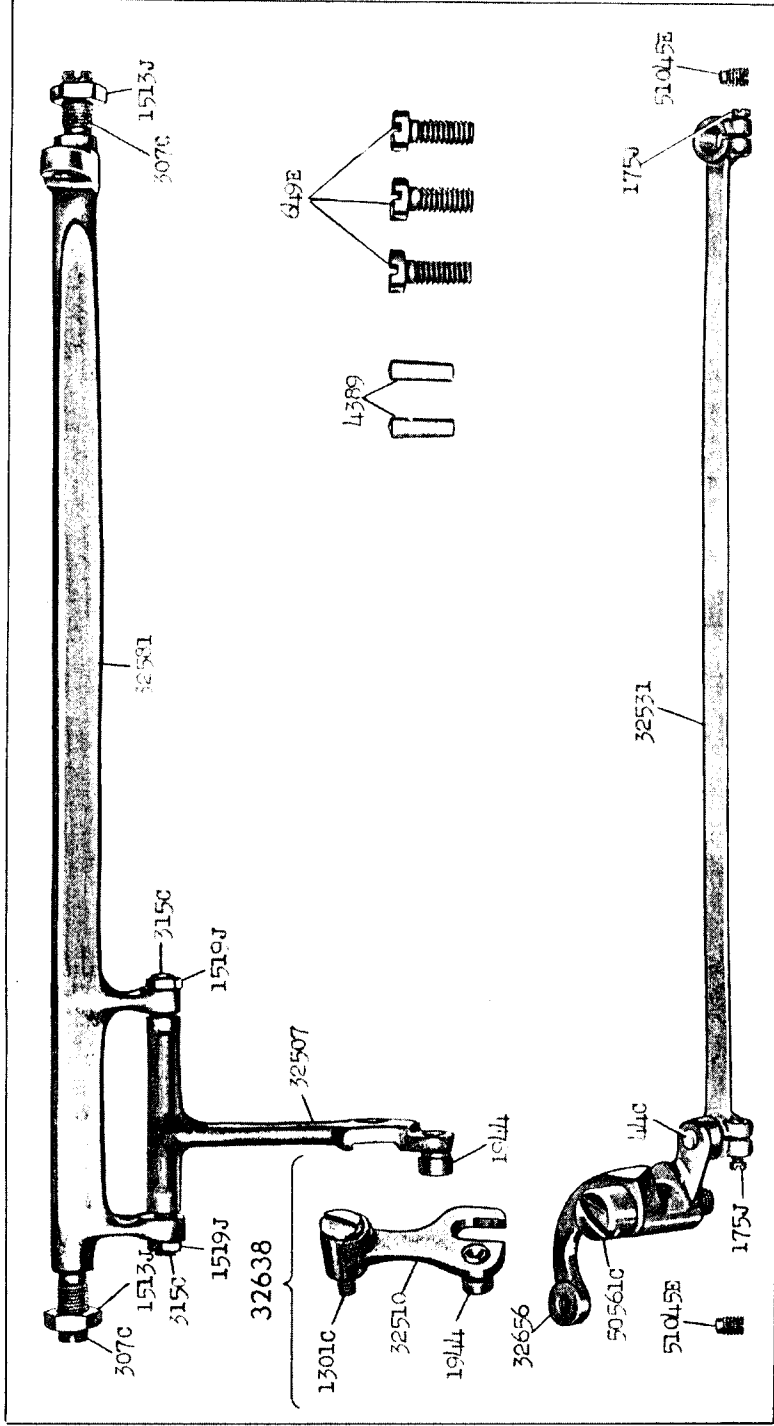
Needles in Containers marked
"FOR SINGER MACHINES"
are NOT **SINGER** made needles. 2

SINGER Needles should be used
in SINGER Machines.
These Needles and their Containers
are marked with the
Company's Trade Mark "SIMANCO." 1

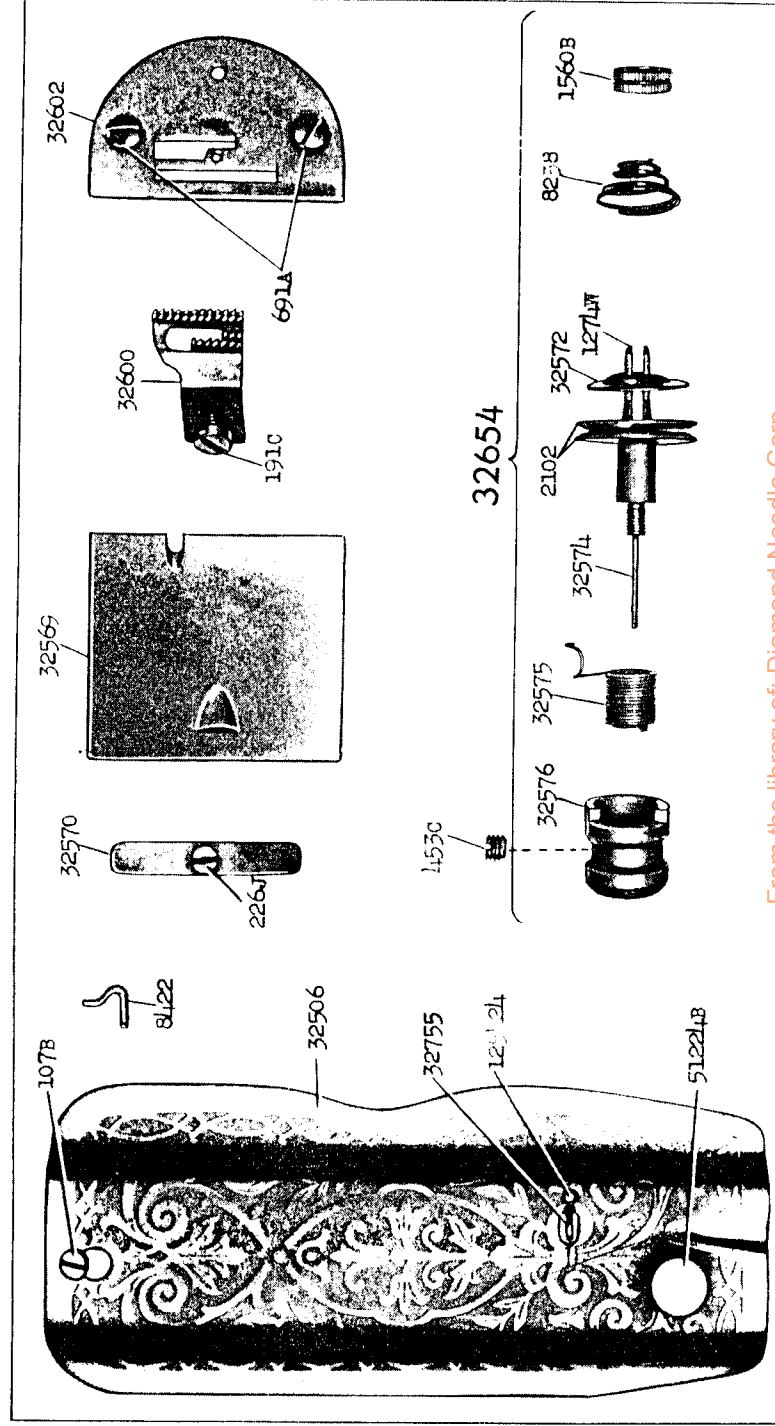
Needles in Containers marked
"FOR SINGER MACHINES"
are NOT **SINGER** made needles. 2

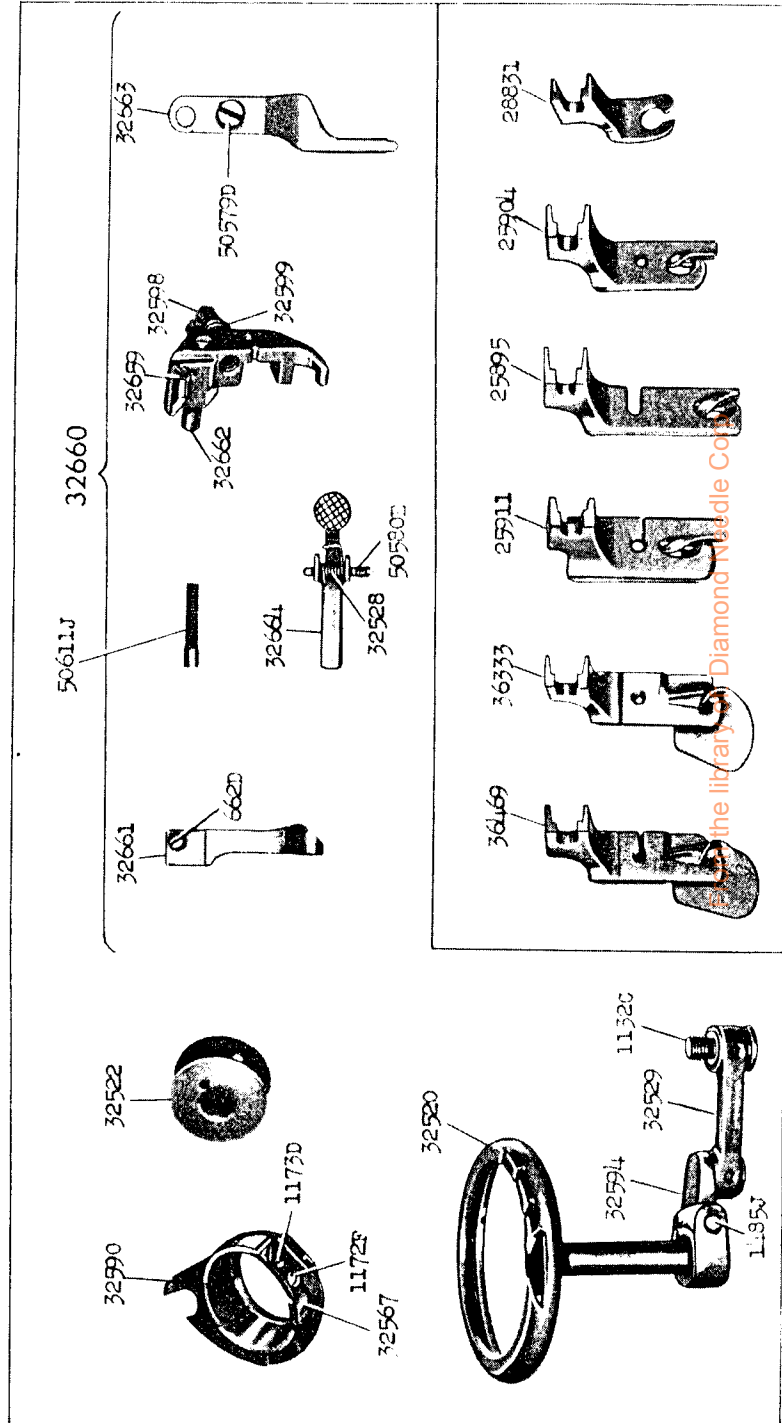
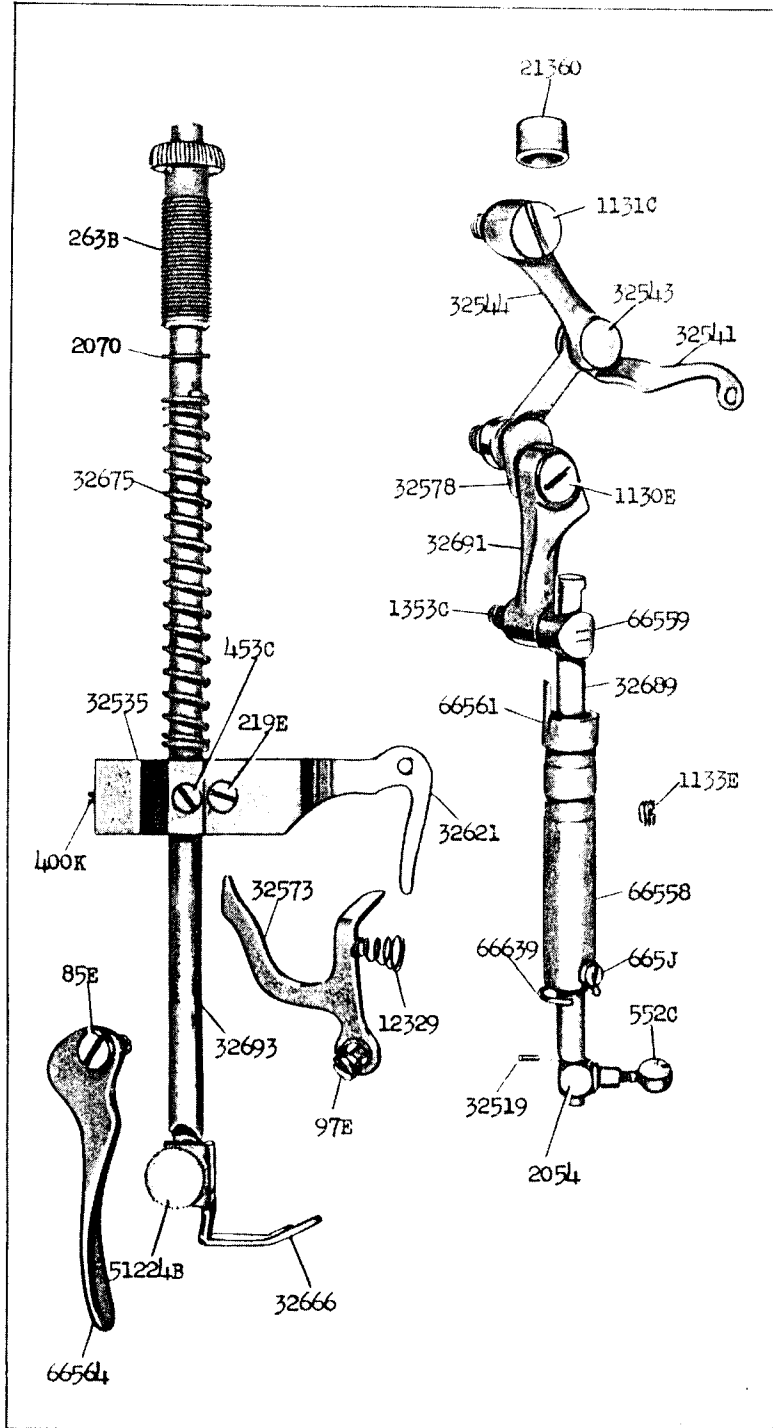
ILLUSTRATIONS OF PARTS

9671 - 1/2



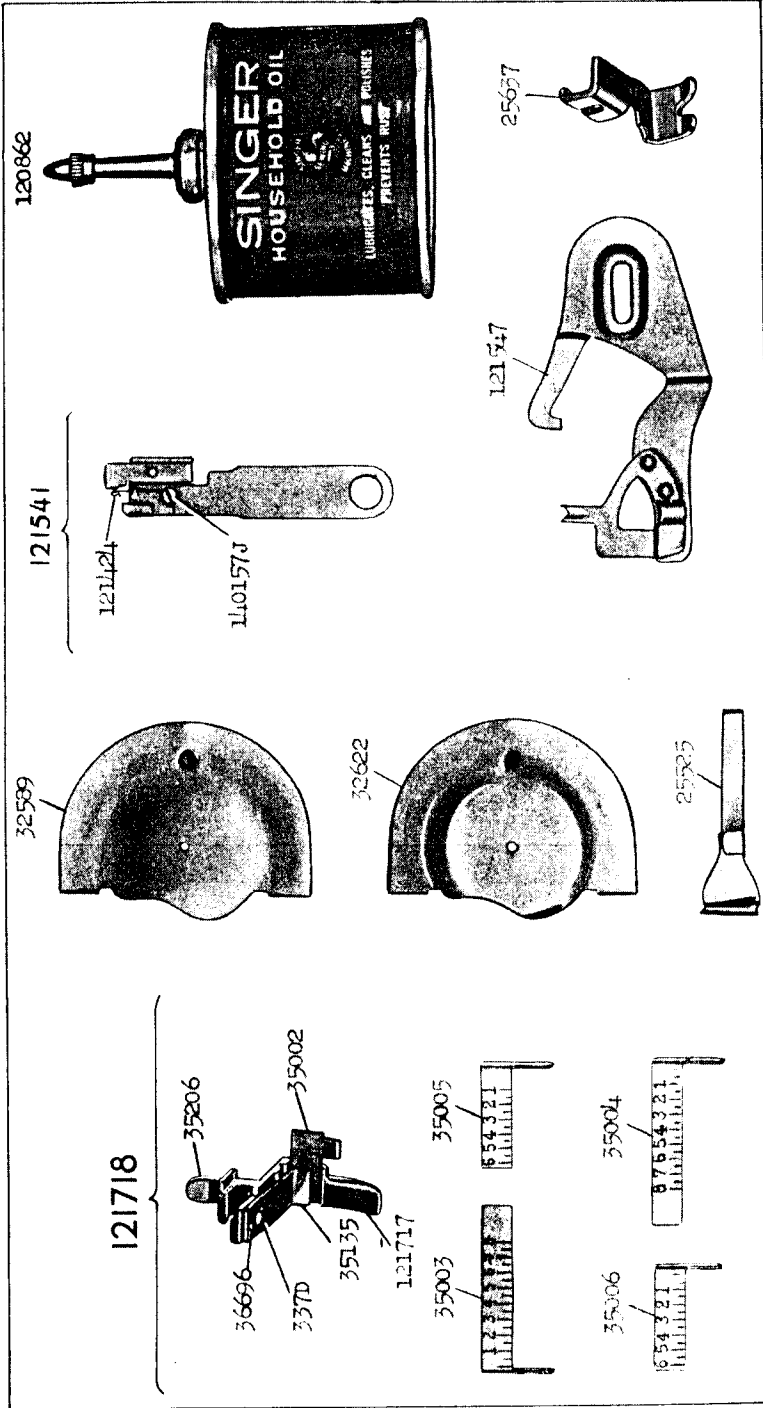
9672 - 2/3



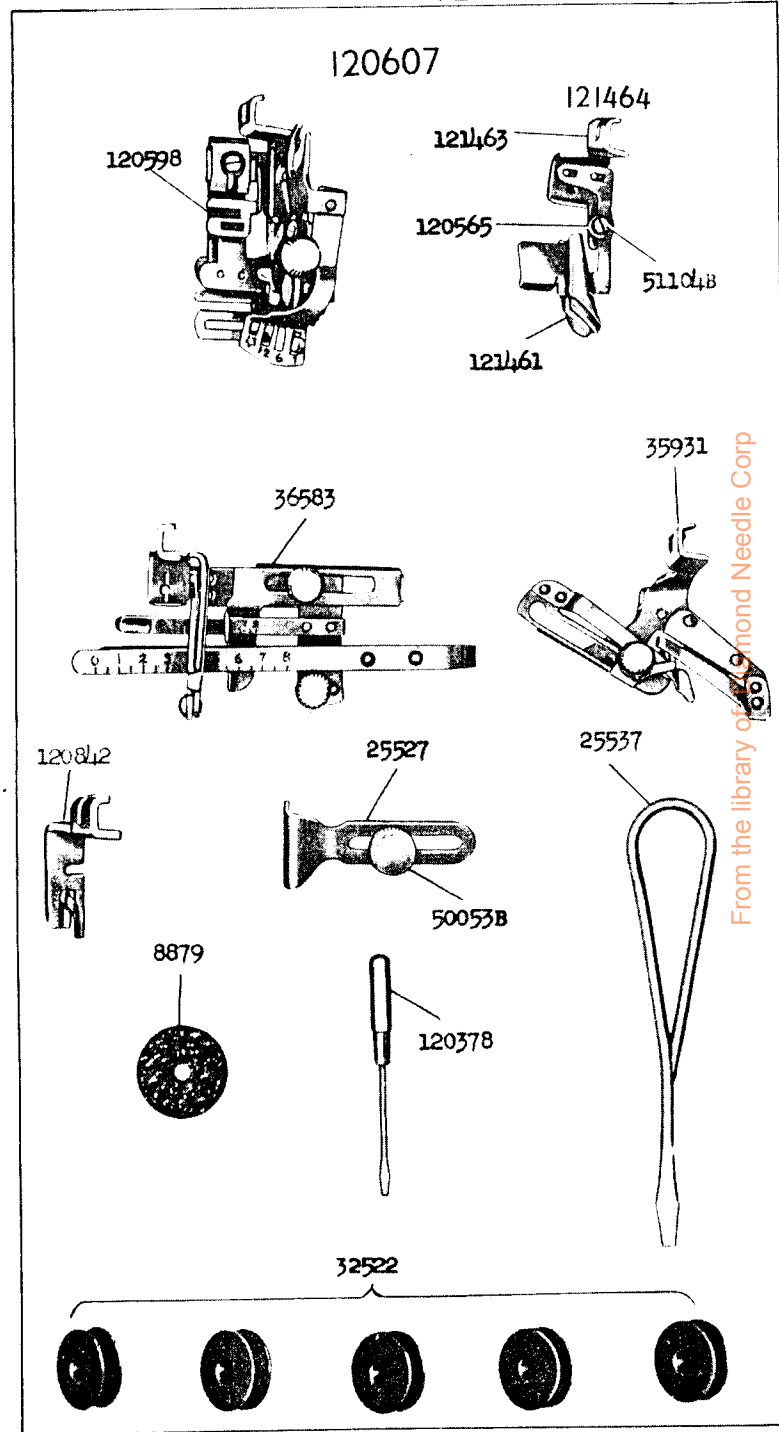


the library of Diamond Needle Co.

9675 - 2/3

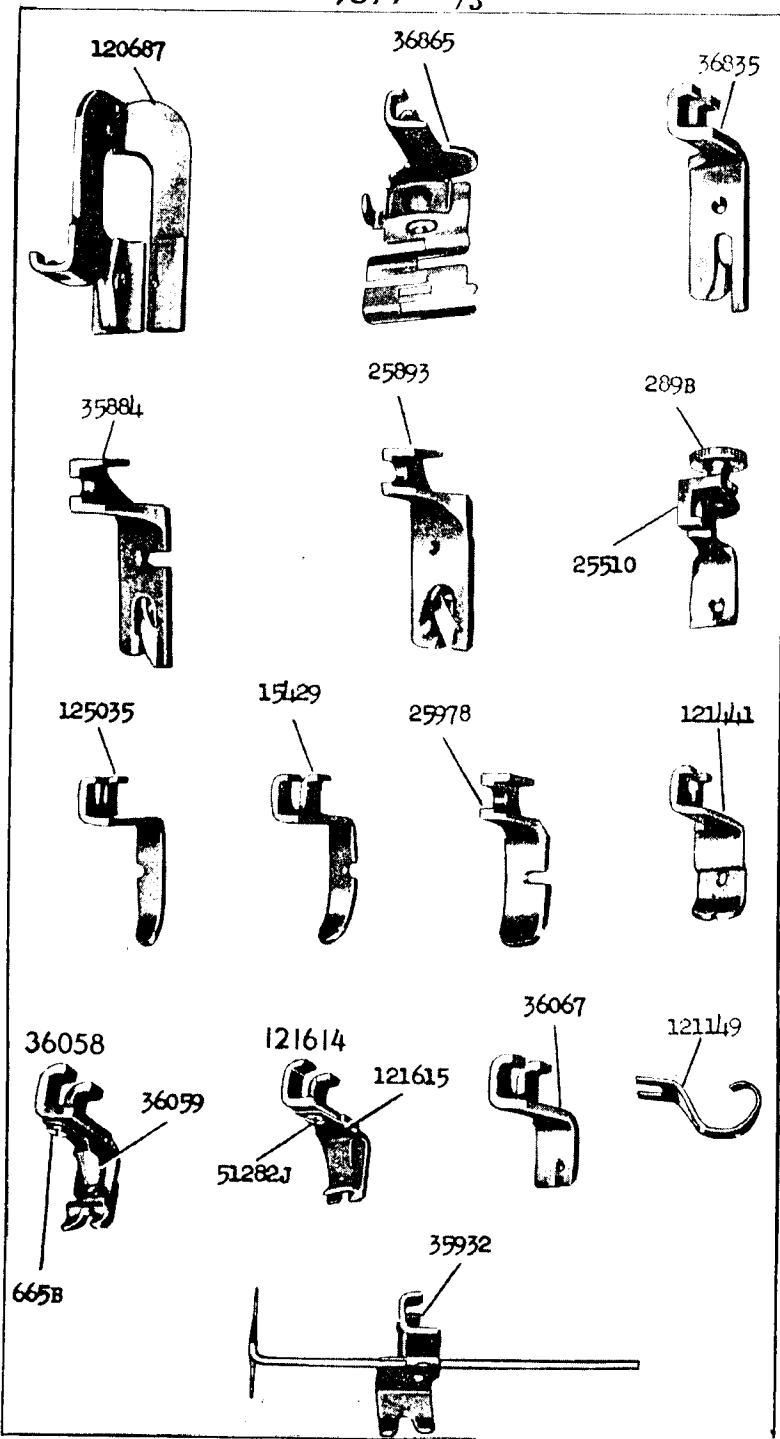


9676 - 1/2

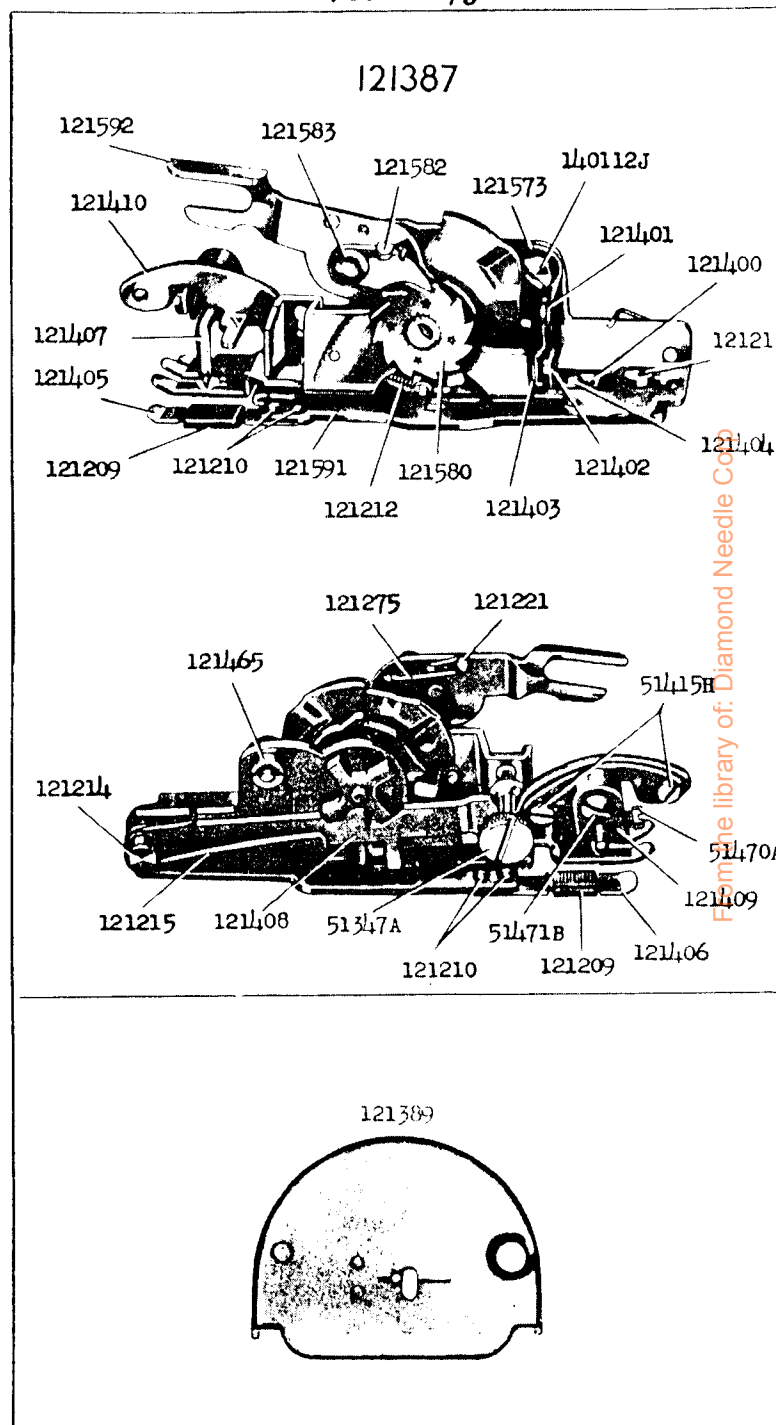


From the library of Diamond Needle Corp

9677 - 2/3

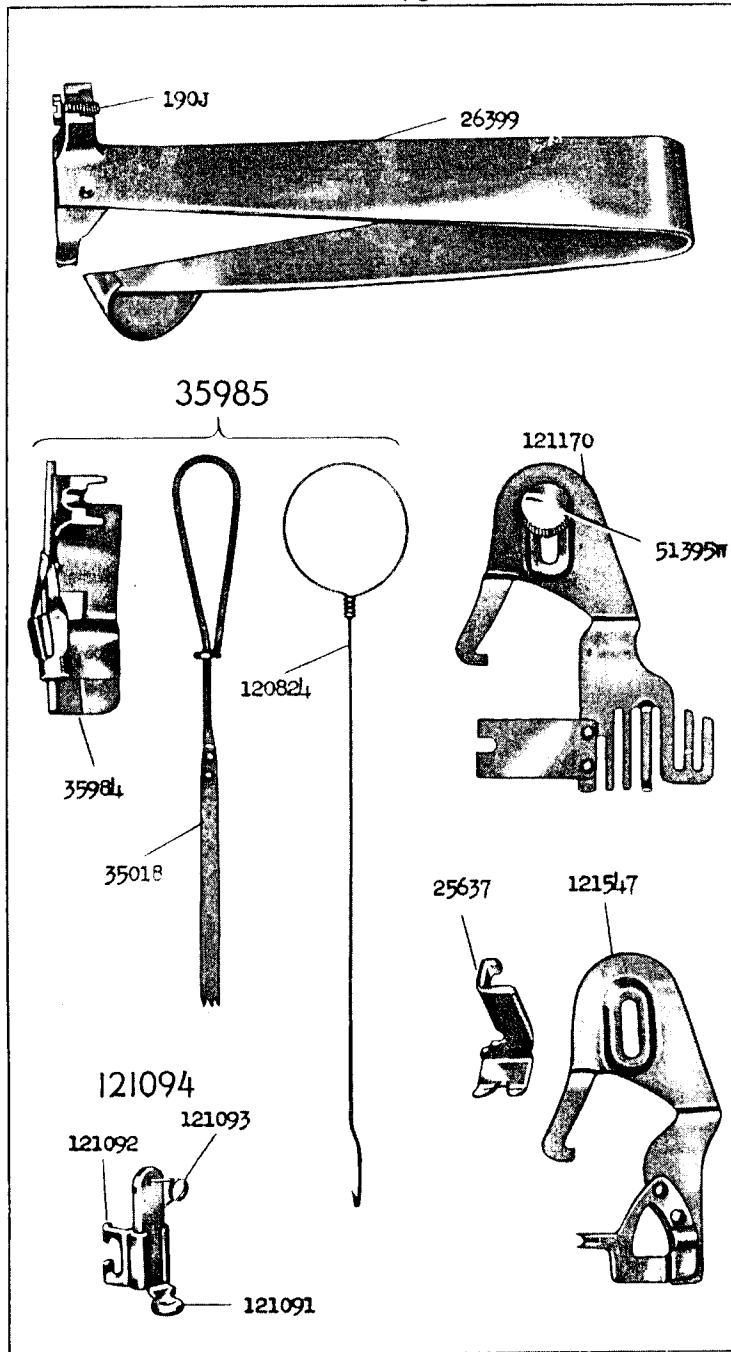


9678 - 2/3

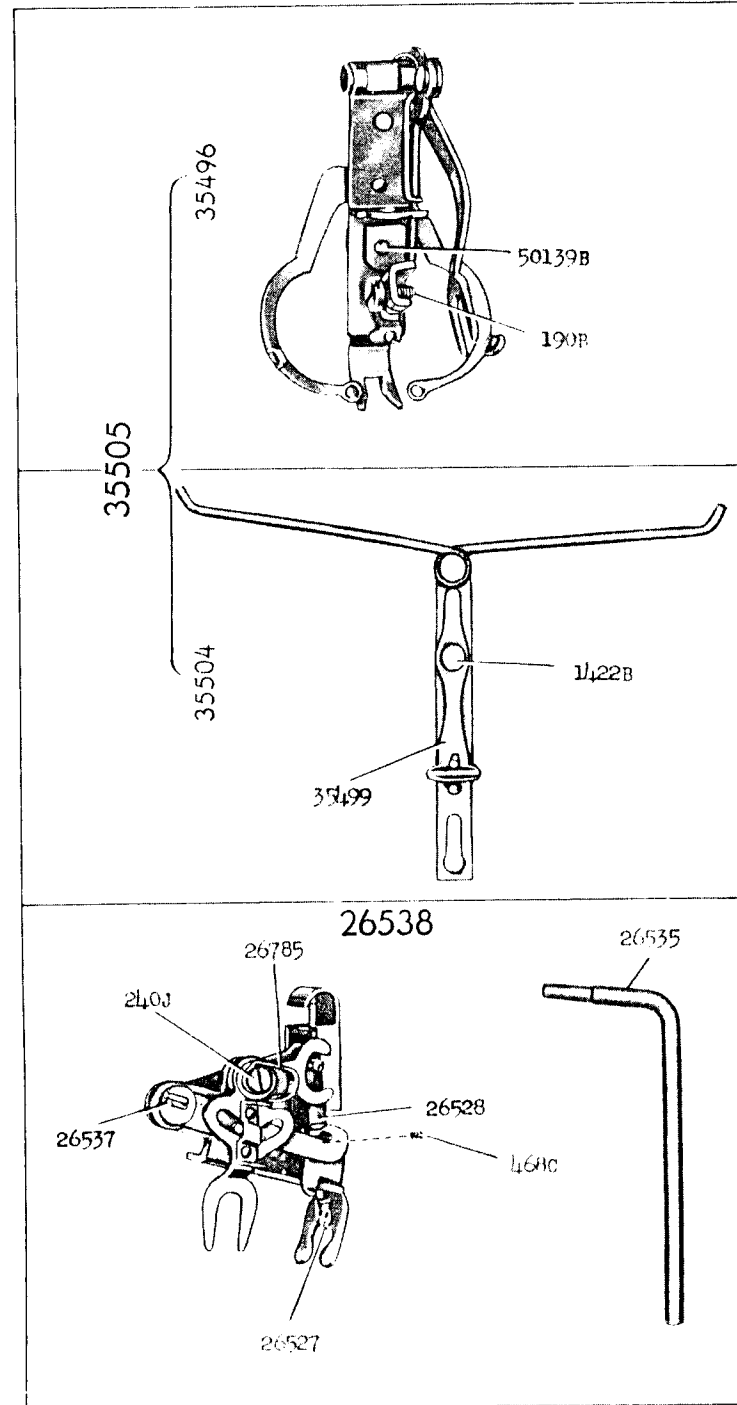


From the library of: Diamond Needle Co.

21382 - 2/3



21383 - 2/3



From the library of: Diamond Needle Corp